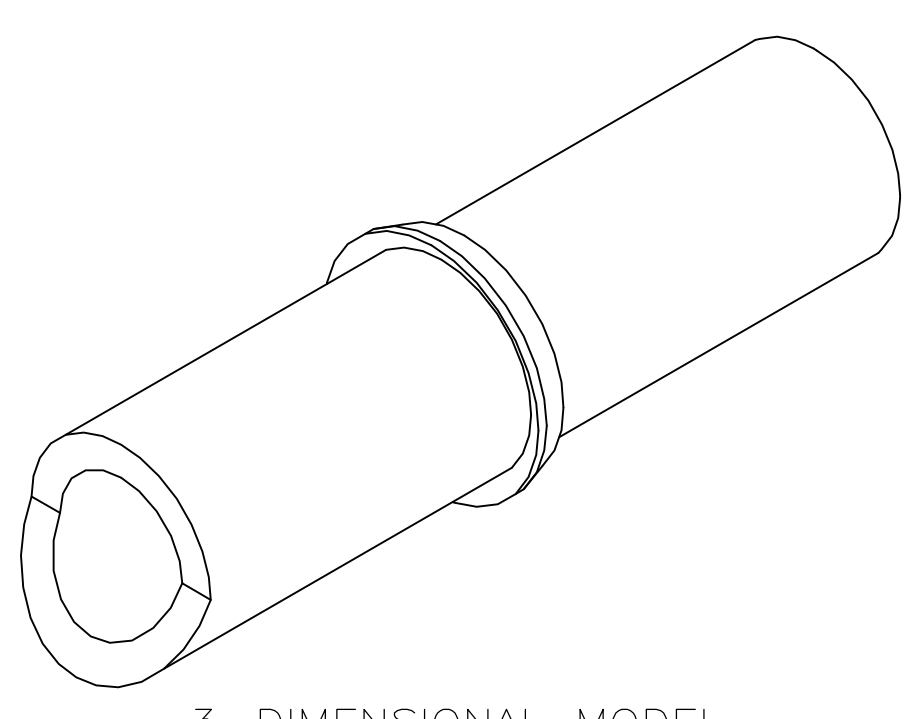
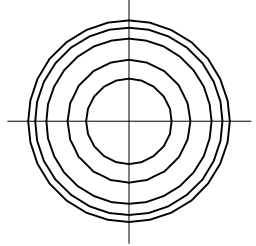
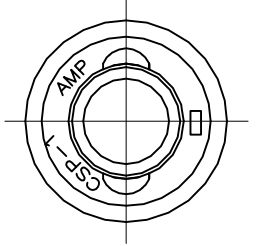
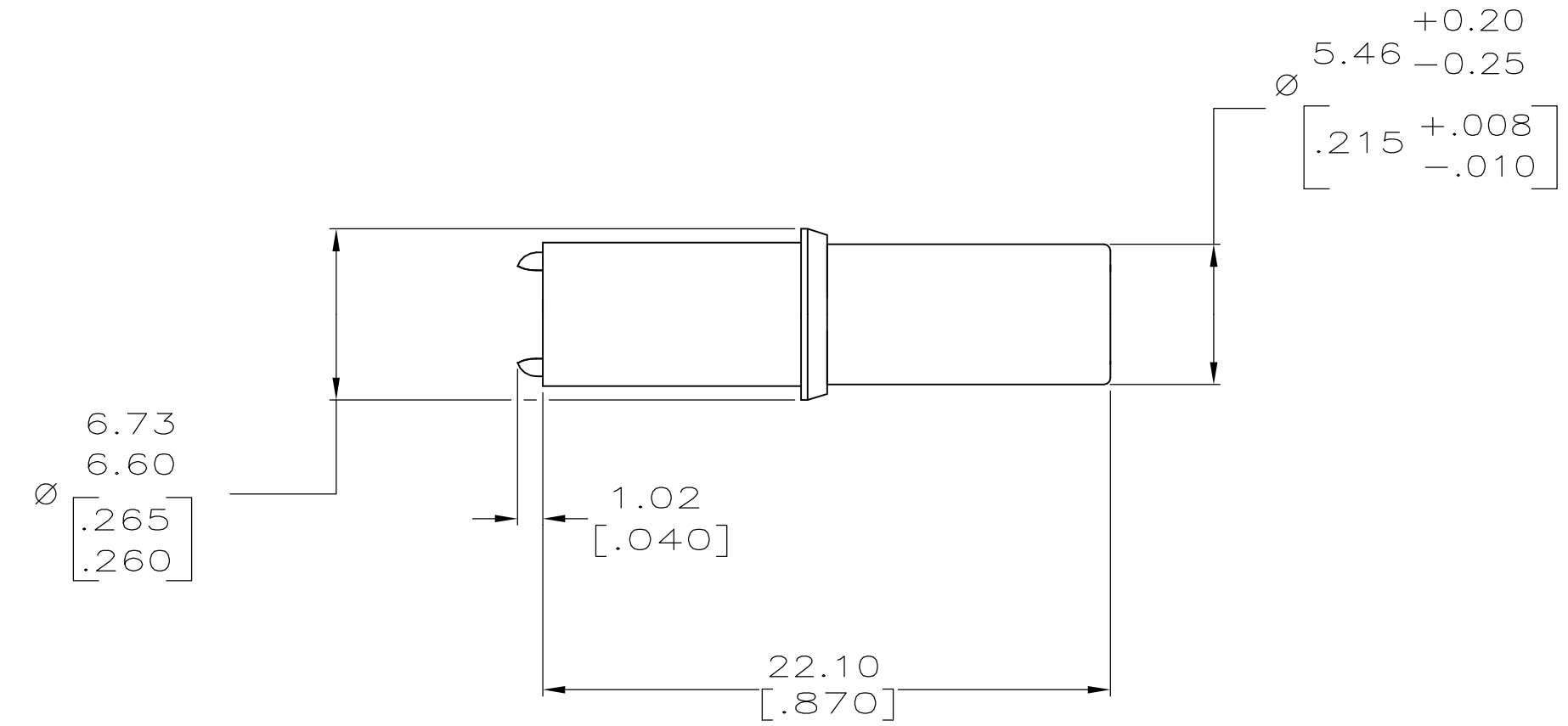
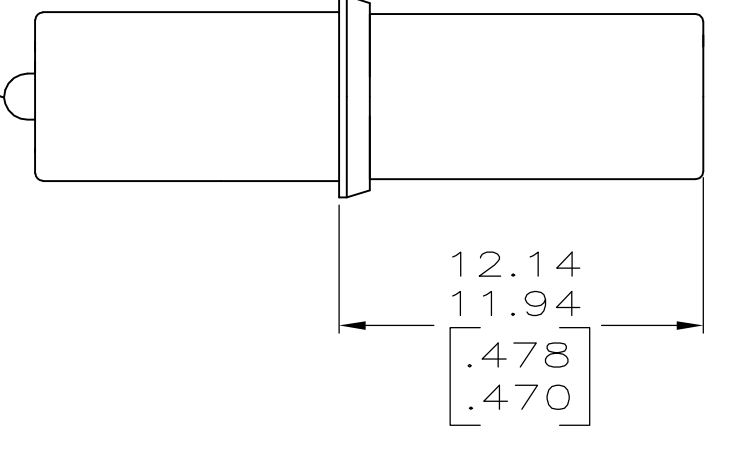


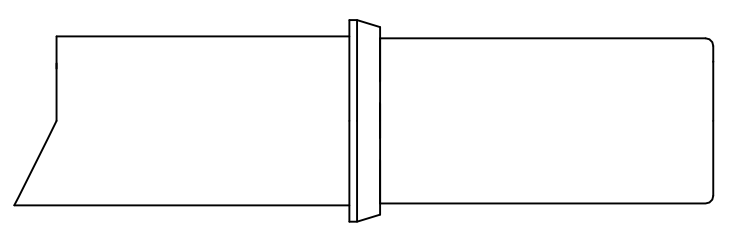
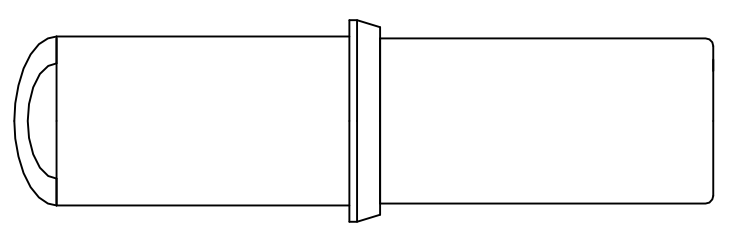
LOC		DIST		REVISIONS			
P	LTR	DESCRIPTION	DATE	DNW	APVD		
K1		REVISED PER ECO-11-004820	11MAR11	RK	HMR		

1. TO BE USED WITH APPROPRIATE COMMERCIAL MATE-N-LOK SOCKETS.
2. MATES WITH CAP 480350 OR 480351.
3. DIMENSIONS IN BRACKETS ARE IN INCHES.

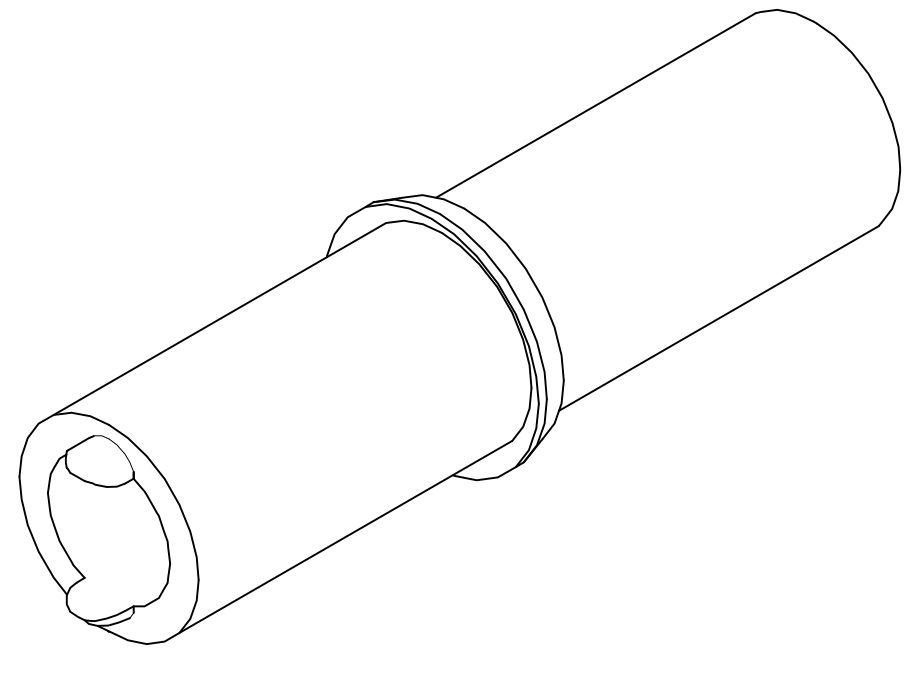
WIRE END IDENTIFICATION



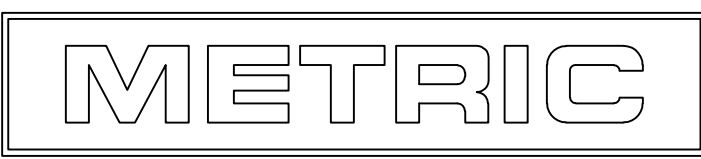
3-DIMENSIONAL MODEL NTS



ALTERNATE CONSTRUCTION (FOR FOREIGN PRODUCTION ONLY)



3-DIMENSIONAL MODEL NTS



BLUE	1-480349-6
GREEN	1-480349-5
RED	1-480349-2
NATURAL	1-480349-0
COLOR	PART NO.

THIS DRAWING IS A CONTROLLED DOCUMENT.		DIN K SALMON 3-8-94	TE Connectivity	
DIMENSIONS: INCHES		CHK R SWING 3-8-94	NAME	
TOLERANCES UNLESS OTHERWISE SPECIFIED:		APVD C MARTIN	PRODUCT SPEC	
0. PLC	± -	APPLICATION SPEC		
1. PLC	± -	SIZE		
2. PLC	± 0.13[.005]	CAGE CODE		
3. PLC	± -	DRAWING NO		
4. PLC	± -	RESTRICTED TO		
ANGLES	± -	A1 00779 C=480349		
MATERIAL NYLON	FINISH -	WEIGHT -		SCALE 4:1 SHEET 1 OF 1 REV K1
CUSTOMER DRAWING		SCALE 4:1 SHEET 1 OF 1 REV K1		